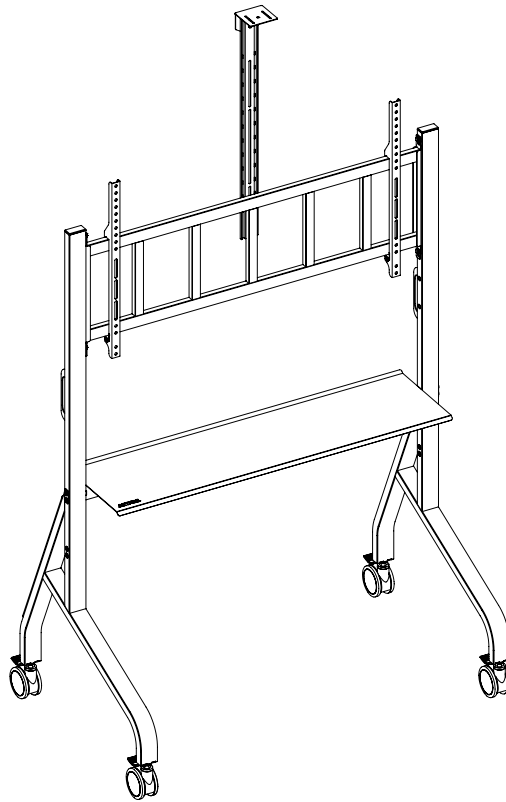


AV Cart 125



FEATURES

- Super heavy duty cart engineered to suit modern large format displays.
- “A-frame” architecture for exceptional accessibility and stability with interactive panels.
- Large equipment shelf for peripherals such as laptops, conference cameras, speakers and video conferencing media bars.
- Optional camera shelf included. suitable for devices including webcams, PTZ cameras and assistive listening transmitters.
- Compatible with AC-AP-4612 Utility Panel (sold separately) to attach Mini PCs and video conferencing hub devices.
- Supplied with cable management conduit to safely guide cables from devices to services.
- Ø100mm (4”) castors and transport handles for effortless manoeuvrability through agile workspaces.
- Compatible with ADB-FL Levelling Feet (sold separately) for stationary applications.

Display weight	Up to 125kg* (275lb)
Display depth	Up to 152mm (6”)
Display size	65” - 115”†
Equipment shelf weight	Up to 10kg (22lb)
Camera shelf weight	Up to 10kg (22lb)
Vertical adjustment	200mm (4”)
VESA mounting	Universal; 200x100 - 1100x600
Primary materials	Steel, Engineering Polymers

* Deep devices (such as all-in-one PCs), VESA mounted accessories (such as mini PC mounts), and offset VESA locations exert additional leverage that can exceed the capacity of the mount even though the display weight may be within the stated range.

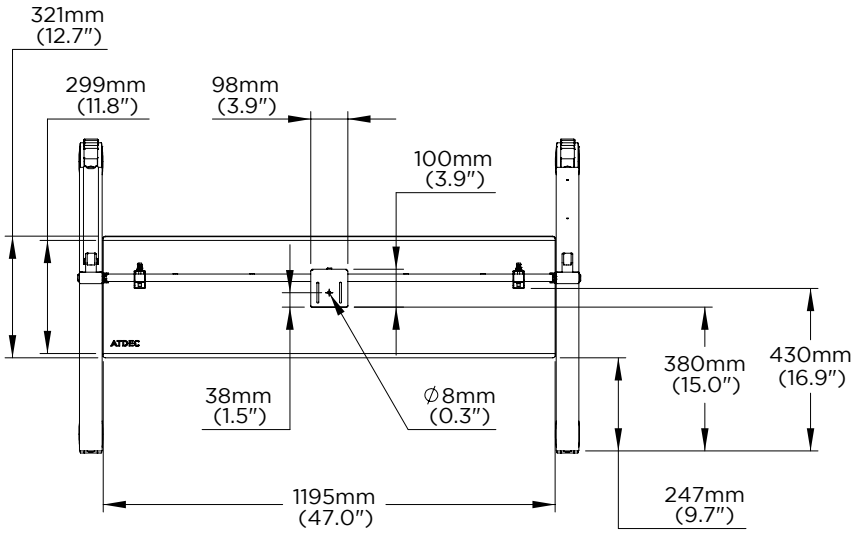
† A display must meet each of the weight, depth and size specifications to be compatible.

Please contact Atdec if you would like further information.

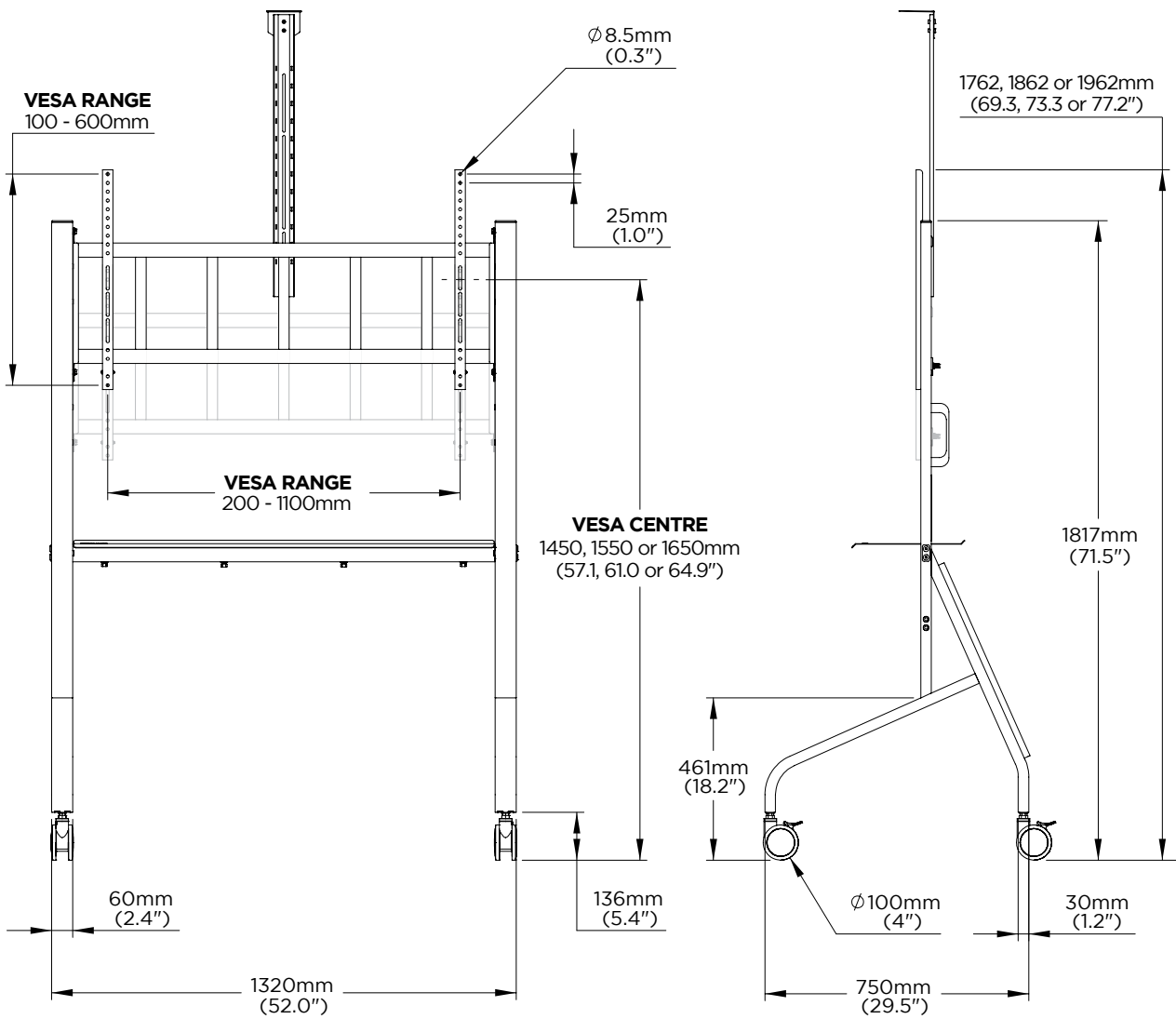
WARRANTY

10 years limited

DIMENSIONS OVERALL



TOP VIEW



FRONT VIEW

RIGHT VIEW

DIMENSIONS SHELF ADJUSTMENT

